

4 3 2 1

F

F

E

E

D

D

C

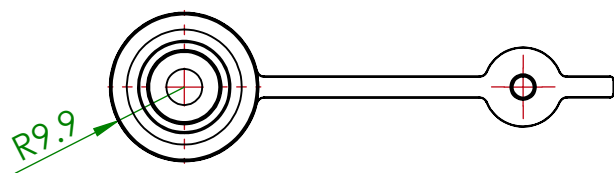
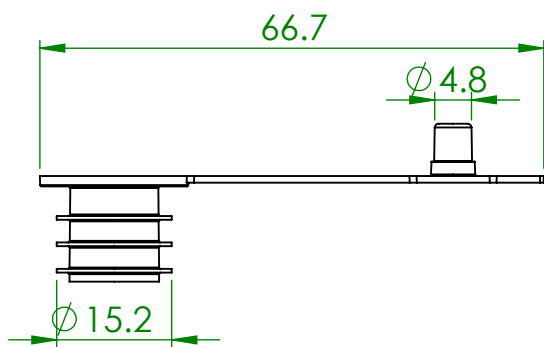
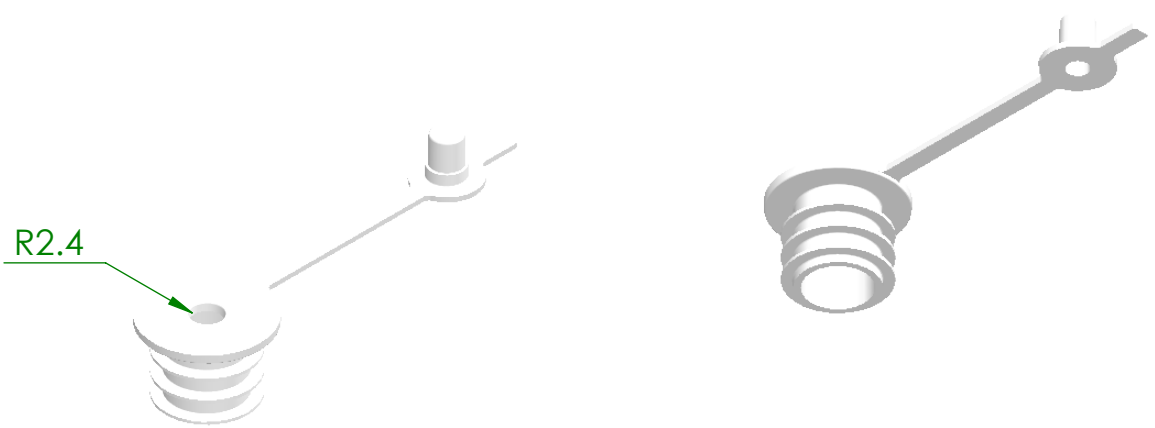
C

B

B

A

A



Medicaplastic

Bottle Adapter

SCALE:1:1

4 3 2 1