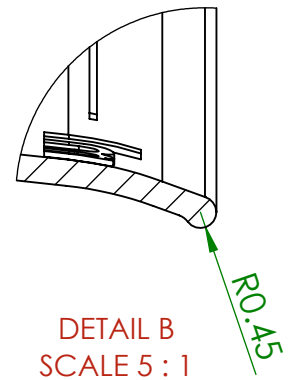
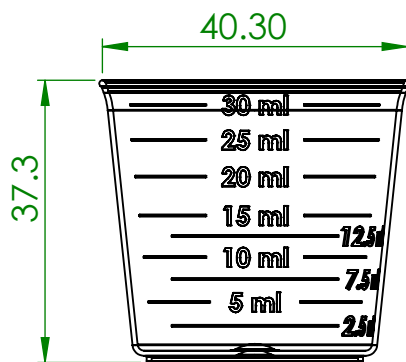


SECTION A-A



DETAIL B  
SCALE 5 : 1



**Medicaplastic**

**Dosage Cup 30 ml**

SCALE:1:1